

## Basic Series • Accessories

### Low Voltage Current Transformer Class 1

#### Current Transformer

Current transformers for direct mounting to bus bars or insulated round conductors.  
Application: indirect measurement of sinusoidal alternating current.



ASK 31.3

Type	ASK 31.3	ASK 412.4
For Bars up to	30 x 10 mm 25.4 x 13 mm 2 x 20 x 10 mm	40 x 12 mm 30 x 15 mm —
For Round Conductors to	∅ 26 mm	∅ 30.5 mm
Rated Primary Current	50 to 750 A	50 to 1000 A
Class	1	1
Housing Material	polycarbonate	polycarbonate
Transformer Width	60 mm	70 mm
Weight max.	0.28 kg	0.45 kg

#### Technical Data, Characteristic Values

Polycarbonate housing per	UL 94 V-0
Angle bracket and rail Screw Clip Screws with insulated protective cover as standard mount (rail Screw Clip Screws only with plug-on current transformer)	
Tightening torque for rail Screw Clip Screws	2 ... 3 Nm
Maximum device voltage $U_m$ (effective value) = max. allowable operating voltage	0.72 kV
Rated short-time alternating withstand voltage (effective value) = test voltage	3 kV
Ambient temperature (operating temperature range)	- 5 ... 40 °C (no condensation)
Design valid for	40 °C ambient temperature and 70 °C bus bar temperature
Rated thermal continuous current	1.0 x $I_n$
Rated frequency	50 ... 60 Hz
Rated thermal short-time current	60 x $I_n$
Insulation class	E
Overcurrent limiting factor (FS)	FS 5 to 1500 A rated primary current FS 10 from 1600 A rated primary current

## Basic Series • Accessories

### Current Transformer Class 1

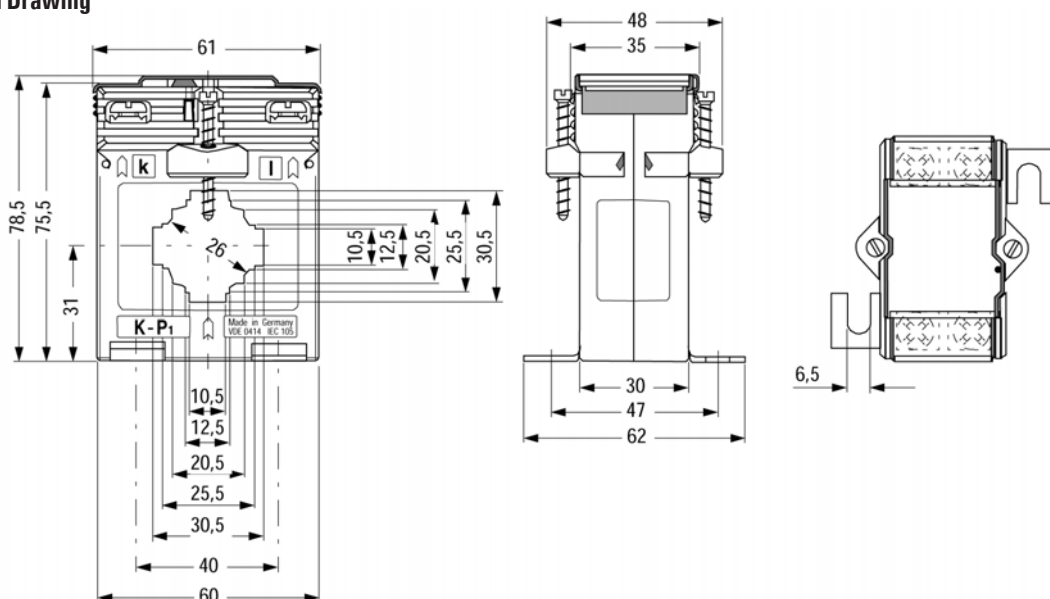
#### Type ASK 31.3

<b>Primary Conductor</b>	30 x 10 mm
	25.4 x 13 mm
	2 x 20 x 10 mm
<b>Round Conductor</b>	∅ 26 mm
<b>Transformer Width</b>	60 mm

Rated Primary Current A	VA	Sec. 5 A	Sec. 1 A
		Order No. 1715V + ↓	Order No. 1715V + ↓
50	1.0	0100	1100
60	1.0	0110	1110
75	1.5	0120	1120
80	2.5	0130	1130
100	2.5	0140	1140
150	2.5	0150	1150
200	5	0160	1160
250	10	0170	1170
300	10	0180	1180
400	10	0190	1190
500	10	0200	1200
600	10	0210	1210
750	10	0220	1220

Accessories:	Order No.
Adaptor for 35 mm mounting rail to DIN EN 50 022	1722V9010
Protective cover	1722V9110

#### Dimensional Drawing



## Basic Series • Accessories

### Current Transformer Class 1

#### Typ ASK 412.4

**Primary Conductor** 40 x 12 mm  
30 x 15 mm

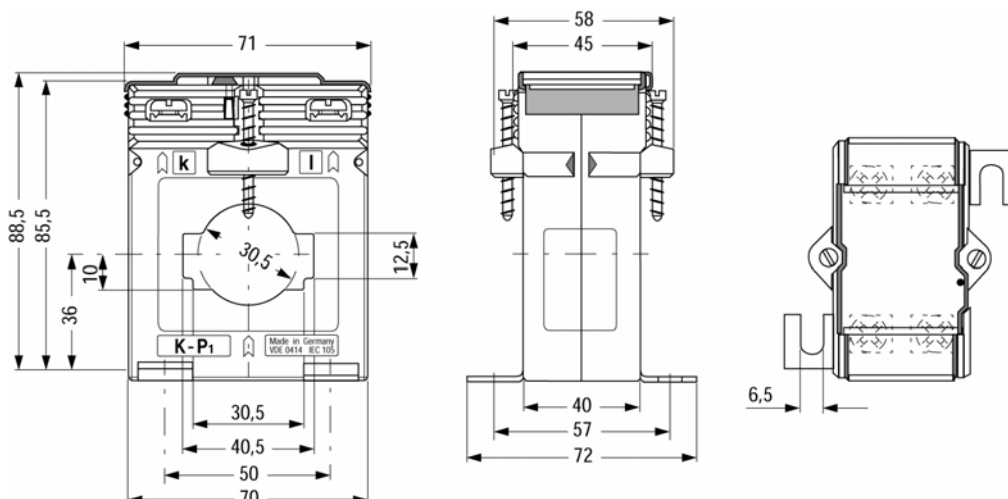
**Round Conductor**  $\varnothing$  30.5 mm

**Transformer Width** 70 mm

Rated Primary Current	VA	Sec. 5 A	Sec. 1 A
		Order No. 1716V + ↓	Order No. 1716V + ↓
50	1.5	0100	1100
60	1.5	0110	1110
75	2.5	0120	1120
80	2.5	0130	1130
100	3.75	0140	1140
150	5	0150	1150
200	10	0160	1160
250	10	0170	1170
300	10	0180	1180
400	10	0190	1190
500	10	0200	1200
600	10	0210	1210
750	10	0220	1220
800	10	0230	1230
1000	10	0240	1240

Accessories:	Order No.
Adaptor for 35 mm mounting rail to DIN EN 50 022	1722V9020
Protective cover	1722V9120

#### Dimensional Drawing



## Vario-Series • Accessories

### Low Voltage Current Transformers, Class 1 and 0.5

#### Current Transformers

#### Wound- Primary Current Transformers

##### Description

Current transformers for direct mounting to bus bars or insulated round conductor and wound-primary current transformers with fixed primary coil.

Application: indirect measurement of sinusoidal alternating current.



Typ ASK 31.3

Type	Current Transformers				Wound-Primary Current Transformers		
	ASK 31.3	ASK 412.4	ASK 63.4	ASK 105.6	WSK 30	WSK 40	WSK 70.6 N
For Bars up to	30 x 10 mm 25.4 x 13 mm 2 x 20 x 10 mm	40 x 12 mm 30 x 15 mm —	60 x 30 mm 50 x 40 mm —	100 x 55 mm — —	—	—	—
For Round Conductors to	∅ 26 mm	∅ 30.5 mm	∅ 44 mm	∅ 55 mm	—	—	—
Rated Primary Current	50 to 750 A (Cl. 0.5 as of 100 A)	50 to 1000 A (Cl. 0.5 as of 100 A)	750 to 2000 A	1500 to 4000 A	1 to 20 A	1 to 40 A	30 to 150 A
Class	1 or 0.5	1 or 0.5	1 or 0.5	1 or 0.5	1 or 0.5	1 or 0.5	1 or 0.5
Housing Material	polycarbonate	polycarbonate	polycarbonate	polycarbonate	polycarbonate	polycarbonate	polycarbonate
Transformer Width	60 mm	70 mm	95 mm	129 mm	60 mm	70 mm	70 mm <sup>1)</sup>
Max. Weight	0.28	0.45	0.41	1.2	0.25	0.4	0.5

#### Technical Data, Characteristics Values

Polycarbonate housing per	UL 94 V-0
Angle bracket and rail Screw Clip Screws with insulated protective cover as standard mount (rail Screw Clip Screws only with current transformer)	
Tightening torque for rail Screw Clip Screws	2 ... 3 Nm
Maximum device voltage $U_m$ (RMS value) = max. allowable operating voltage	0.72 kV
Rated short-time alternating withstand voltage (RMS value) = test voltage	3 kV
Ambient temperature (operating temperature range)	– 5 ... 40 °C (no condensation)
Design applies for	40 °C ambient temperature and 70 °C bus bar temperature
Rated thermal continuous current	1.0 x $I_N$
Rated frequency	50 – 60 Hz
Rated thermal short-time current	60 x $I_N$
Insulation class	E
Overcurrent limiting factor (FS)	FS 5 to 1500 A rated primary current FS 10 from 1600 A rated primary current

#### Regulations and Standards

IEC 185 /DIN VDE 0414 part 1

BGV A2

VDE 0106 part 100/DIN 57106 part 100 (safe from finger-touch)

# Vario-Series • Accessories

## Low Voltage Current Transformers, Class 1 and 0.5

### Type ASK 31.3

### Current Transformer

Primary Conductor 30 x 10 mm  
25.4 x 13 mm  
2 x 20 x 10 mm

Round Conductor  $\varnothing$  26 mm

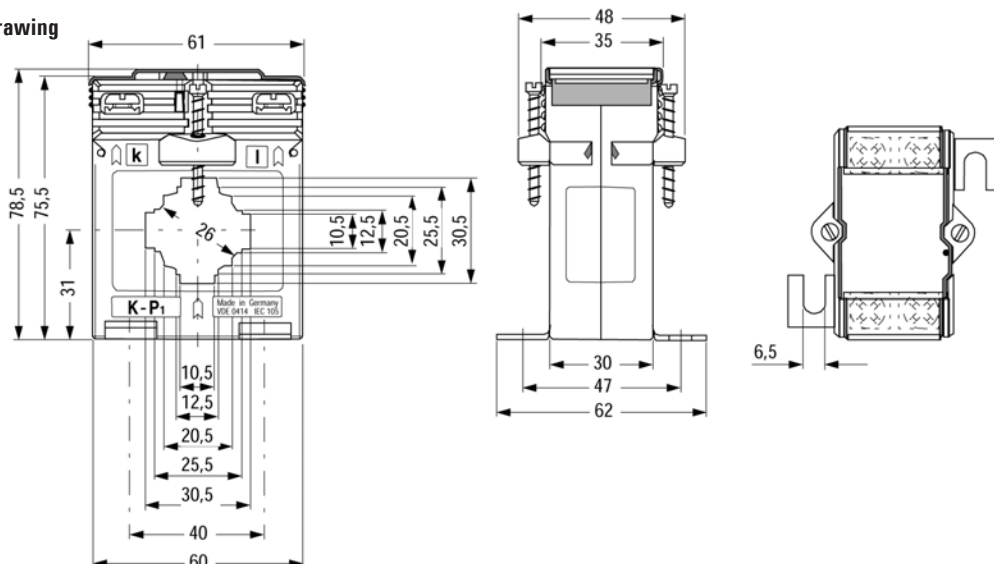
Transformer Width 60 mm

Rated Primary Current		Class 1		Class 0.5	
		Sec. 5 A	Sec. 1 A	Sec. 5 A	Sec.1 A
		Order No.	Order No.	Order No.	Order No.
<b>A</b>	<b>VA</b>	<b>1715V</b> + ↓	<b>1715V</b> + ↓	<b>1715V</b> + ↓	<b>1715V</b> + ↓
50	1.0	0100	1100	—	—
60	1.0	0110	1110	—	—
75	1.5	0120	1120	—	—
80	2.5	0130	1130	—	—
100	2.5	0140	1140	2140	3140
150	2.5	0150	1150	2150	3150
200	5	0160	1160	2160	3160
250	5	—	—	2170	3170
250	10	0170	1170	—	—
300	5	—	—	2180	3180
300	10	0180	1180	—	—
400	5	—	—	2190	3190
400	10	0190	1190	—	—
500	10	0200	1200	2200	3200
600	10	0210	1210	2210	3210
750	10	0220	1220	2220	3220

Rated frequency 400 Hz, extra charge = specify in clear text

Accessories:	Order No.
Adaptor for 35 mm mounting rail to DIN EN 50022	1722V9010
Protective Cover	1722V9110

### Dimensional Drawing



## Vario-Series • Accessories

Low Voltage Current Transformers, Class 1 and 0.5

### Type ASK 412.4

### Current Transformer

Primary Conductor 40 x 12 mm  
30 x 15 mm

Round Conductor  $\varnothing$  30.5 mm

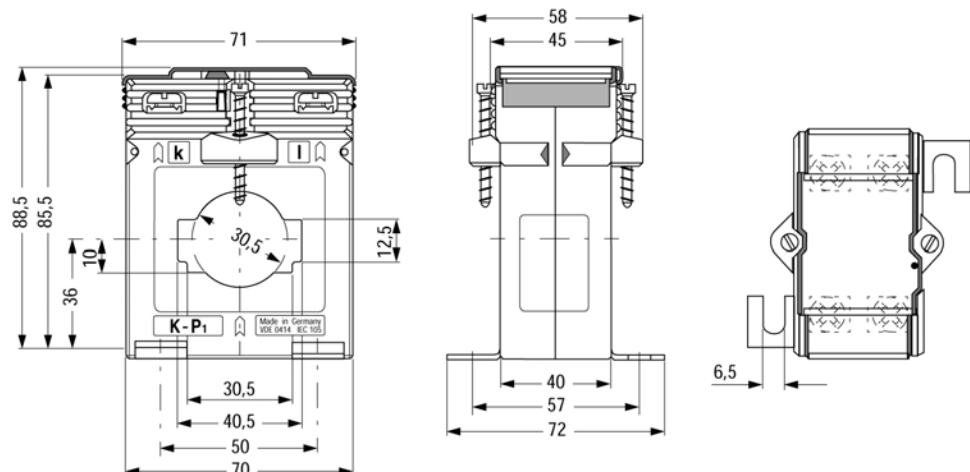
Transformer Width 70 mm

Rated Primary Current	VA	Class 1		Class 0.5	
		Sec. 5 A	Sec. 1 A	Sec. 5 A	Sec.1 A
		Order No.	Order No.	Order No.	Order No.
<b>A</b>		<b>1716V</b> + ↓	<b>1716V</b> + ↓	<b>1716V</b> + ↓	<b>1716V</b> + ↓
50	1.5	0100	1100	—	—
60	1.5	0110	1110	—	—
75	2.5	0120	1120	—	—
80	2.5	0130	1130	—	—
100	1.5	—	—	2140	3140
100	3.75	0140	1140	—	—
150	2.5	—	—	2150	3150
150	5	0150	1150	—	—
200	2.5	—	—	2160	3160
200	10	0160	1160	—	—
250	5	—	—	2170	3170
250	10	0170	1170	—	—
300	5	—	—	2180	3180
300	10	0180	1180	—	—
400	10	0190	1190	2190	3190
500	10	0200	1200	2200	3200
600	10	0210	1210	2210	3210
750	10	0220	1220	2220	3220
800	10	0230	1230	2230	3230
1000	10	0240	1240	2240	3240

Rated frequency 400 Hz, extra charge = specify in clear text

Accessories	Order No.
Adaptor for 35 mm mounting rail to DIN EN 50022	1722V9020
Protective Cover	1722V9120

### Dimensional Drawing



## Vario-Series • Accessories

Low Voltage Current Transformers, Class 1 and 0.5

### Type ASK 105.6

Current Transformer

Primary Conductor 100 x 55 mm

Round Conductor  $\varnothing$  55 mm

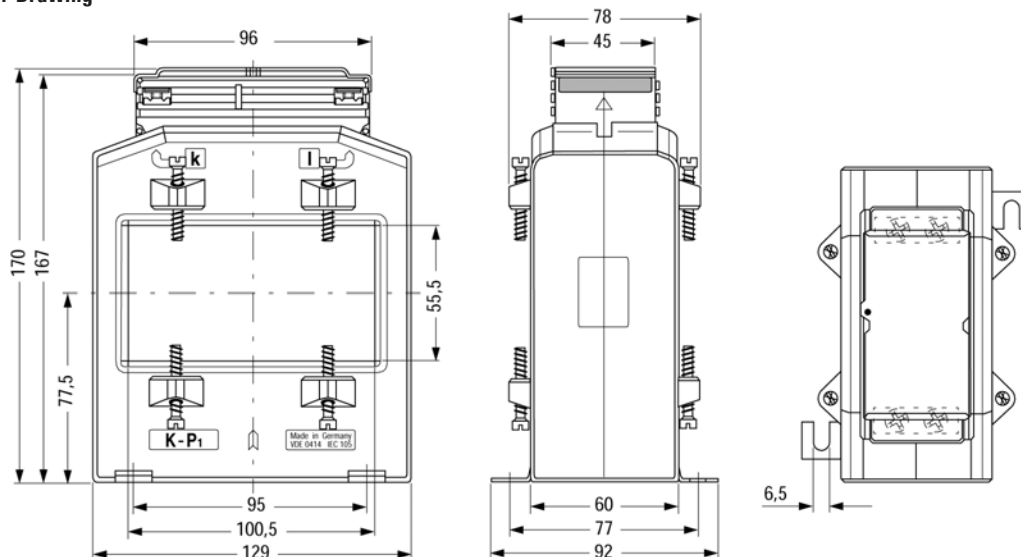
Transformer Width 129 mm

Rated Primary Current		Class 1		Class 0.5	
		Sec. 5 A	Sec. 1 A	Sec. 5 A	Sec. 1 A
		Order No.	Order No.	Order No.	Order No.
<b>A</b>	<b>VA</b>	<b>1718V</b> + ↓	<b>1718V</b> + ↓	<b>1718V</b> + ↓	<b>1718V</b> + ↓
1500	10	<b>0260</b>	<b>1260</b>	<b>2260</b>	<b>3260</b>
1800	10	<b>0270</b>	<b>1270</b>	<b>2270</b>	<b>3270</b>
2000	10	<b>0280</b>	<b>1280</b>	<b>2280</b>	<b>3280</b>
2500	10	<b>0290</b>	<b>1290</b>	<b>2290</b>	<b>3290</b>
3000	10	<b>0300</b>	<b>1300</b>	<b>2300</b>	<b>3300</b>
4000	10	<b>0310</b>	<b>1310</b>	<b>2310</b>	<b>3310</b>

Rated frequency 400 Hz, extra charge = specify in clear text

Accessories:	Order No.
Protective Cover	<b>1722V9130</b>

### Dimensional Drawing



## Vario-Series • Accessories

Low Voltage Current Transformers, Class 1 and 0.5

### Type WSK 30

### Wound-Primary Current Transformer

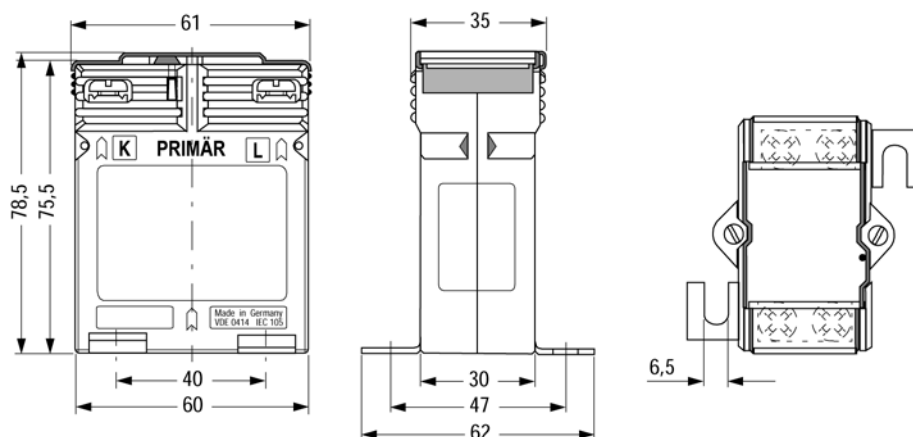
Transformer Width 60 mm

Rated Primary Current	VA	Class 1		Class 0.5	
		Sec. 5 A	Sec. 1 A	Sec. 5 A	Sec.1 A
		Order No	Order No	Order No	Order No
<b>A</b>		<b>1719V</b> + ↓	<b>1719V</b> + ↓	<b>1719V</b> + ↓	<b>1719V</b> + ↓
1	2.5	—	—	<b>2010</b>	<b>3010</b>
1	5	<b>0010</b>	<b>1010</b>	—	—
2.5	2.5	—	—	<b>2020</b>	<b>3020</b>
2.5	5	<b>0020</b>	<b>1020</b>	—	—
5	2.5	—	—	<b>2030</b>	<b>3030</b>
5	5	<b>0030</b>	<b>1030</b>	—	—
10	2.5	—	—	<b>2040</b>	<b>3040</b>
10	5	<b>0040</b>	<b>1040</b>	—	—
15	2.5	—	—	<b>2050</b>	<b>3050</b>
15	5	<b>0050</b>	<b>1050</b>	—	—
20	2.5	—	—	<b>2060</b>	<b>3060</b>
20	5	<b>0060</b>	<b>1060</b>	—	—

Rated frequency 400 Hz, extra charge = specify in clear text

Accessories:	Order No.
Adaptor for 35 mm mounting rail to DIN EN 50022	<b>1722V9010</b>
Protective Cover	<b>1722V9110</b>

### Dimensional Drawing



## Vario-Series • Accessories

Low Voltage Current Transformers, Class 1 and 0.5

### Type WSK 40

### Wound-Primary Current Transformer

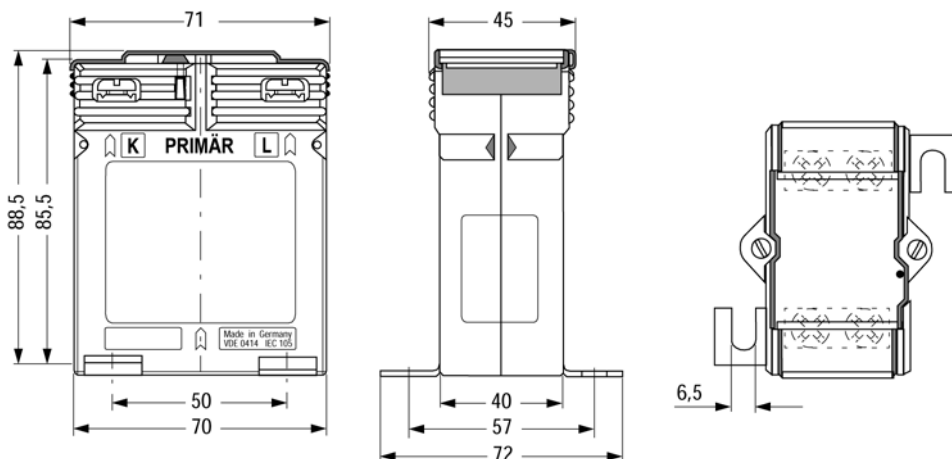
Transformer Width 70 mm

Rated Primary Current		Class 1		Class 0.5	
		Sec. 5 A	Sec. 1 A	Sec. 5 A	Sec.1 A
		Order No.	Order No.	Order No.	Order No.
A	VA	1720V + ↓	1720V + ↓	1720V + ↓	1720V + ↓
1	10	0010	1010	2010	3010
2.5	10	0020	1020	2020	3020
5	10	0030	1030	2030	3030
10	10	0040	1040	2040	3040
15	10	0050	1050	2050	3050
20	10	0060	1060	2060	3060
25	10	0070	1070	2070	3070
30	5	—	—	2080	3080
30	10	0080	1080	—	—
40	5	—	—	2090	3090
40	10	0090	1090	—	—

Rated frequency 400 Hz, extra charge = specify in clear text

Accessories:	Order No.
Adaptor for 35 mm mounting rail to DIN EN 50022	1722V9020
Protective Cover	1722V9120

### Dimensional Drawing



## Vario-Series • Accessories

Low Voltage Current Transformers, Class 1 and 0.5

### Type WSK 70.6 N

### Wound-Primary Current Transformer

Transformer Width 70 mm

Rated Primary Current <b>A</b>	<b>VA</b>	Class 1		Class 0.5	
		Sec. 5 A	Sec. 1 A	Sec. 5 A	Sec.1 A
		Order No. <b>1721V</b> + ↓	Order No. <b>1721V</b> + ↓	Order No. <b>1721V</b> + ↓	Order No. <b>1721V</b> + ↓
30	10	<b>0080</b>	<b>1080</b>	<b>2080</b>	<b>3080</b>
40	10	<b>0090</b>	<b>1090</b>	<b>2090</b>	<b>3090</b>
50	10	<b>0100</b>	<b>1100</b>	<b>2100</b>	<b>3100</b>
60	10	<b>0110</b>	<b>1110</b>	<b>2110</b>	<b>3110</b>
75	10	<b>0120</b>	<b>1120</b>	<b>2120</b>	<b>3120</b>
80	10	<b>0130</b>	<b>1130</b>	<b>2130</b>	<b>3130</b>
100	10	<b>0140</b>	<b>1140</b>	<b>2140</b>	<b>3140</b>
150	10	<b>0150</b>	<b>1150</b>	<b>2150</b>	<b>3150</b>

Rated frequency 400 Hz, extra charge = specify in clear text

Accessories:	Order No.
Protective Cover	<b>1722V9120</b>

#### Dimensional Drawing

